



I0AA-M1

Perspex mini-itx case

(Designed for Intel[®] Core[™] i3/5/7 Processor)

User Manual

Website: <http://www.lcdmodkit.com>

Rev: 1.01 Apr 2011

CHAPTER 1 INTRODUCTION.....	2
CHAPTER 2 HARDWARE SETUP	3

Chapter 1 Introduction

1.1 Package Contents



1.2 Specification

Case	
Case Color	No color crystal clear (Acrylic)
Corner Stand	72mm height Silver White (Surface treated sandblasted aluminium)
Foot Stand	M5 Screw (Aluminium , 4.5mm height)
Dimensions	190 x 181 x 78mm (WxLxH, box height only, not included the height of food stand)
HDD Bays	[2x] 2.5" HDD (under the motherboard)
Foam Factor	mini itx
Internal Height	Total 72mm

Accessories	
Exhaust Fan	6cm 6010 Pulse width modulation control
Fan cable	Two way fan out PWM cable

Chapter 2 Hardware Setup

2.1 Installing hard disk to the bottom crystal clear plate

2.1.1 Place red fiber liners on mounting holes of hard disk



2.1.2 Place bottom crystal clear plate on the top of hard disk and install screws

(If you only use one hard drive, please cover the exhausted holes of the another drive bay)



2.2 Installing corner stands and nylon studs to the bottom crystal clear plate



2.3 Installing rear panel



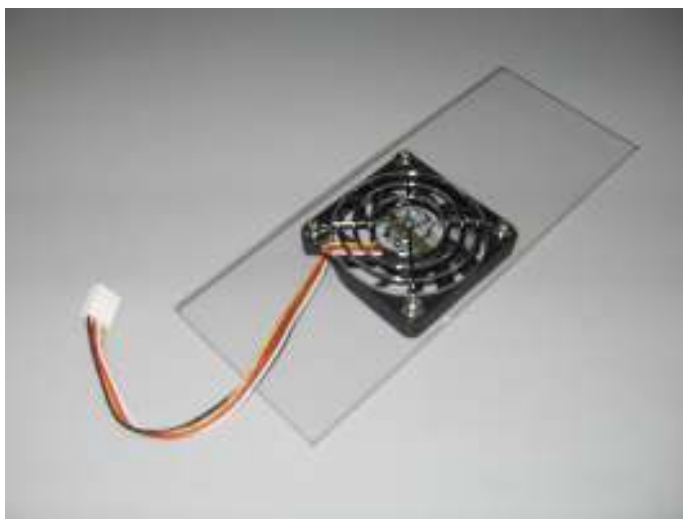
2.4 Connecting SATA data and power cables



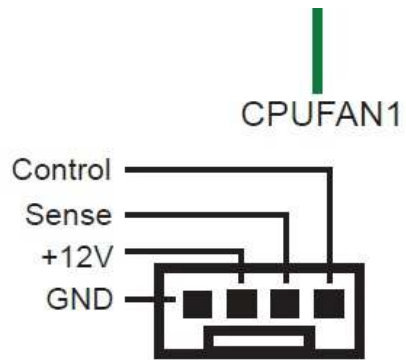
2.5 Installing Mainboard and power cable and Wifi connector (if you have)



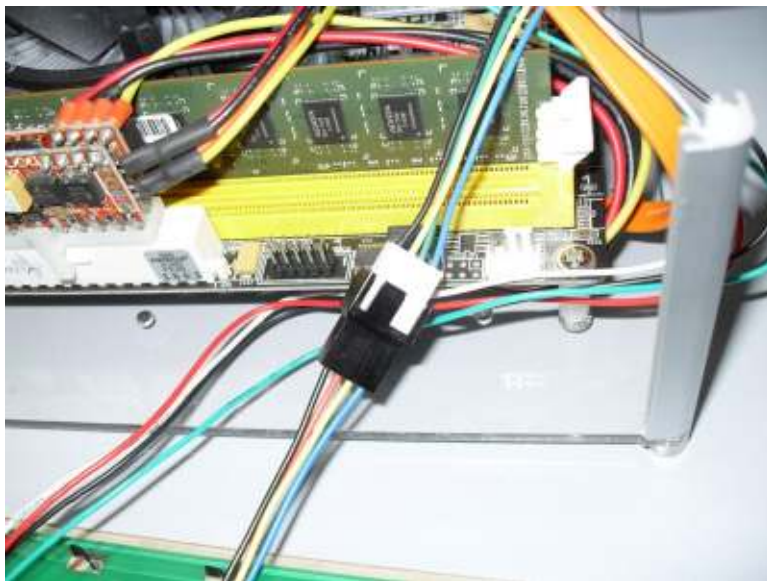
2.6 Exhausted fan installation (Please remind the arrows sign which marked on the fan, the air flow arrow point to outward.)



2.7 Connecting the 2-way PWM fan cable to CPU fan connector of motherboard



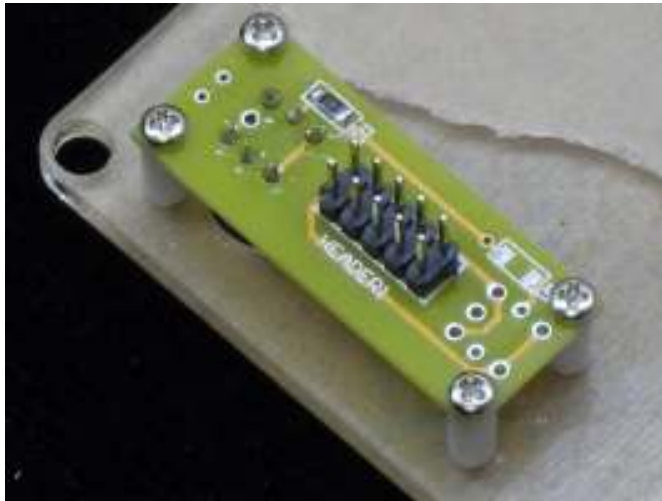
2.8 Connecting the 2-way PWM fan cable (4-cable one for detecting the CPU fan speed) to CPU fan



2.9 Connecting the 2-way PWM fan cable (3-cable one for controlling speed only) to exhaust fan



2.10 Install the power button module (Rotate the screw lightly and make sure the button can be pressed and released freely)

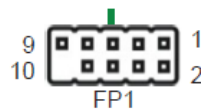


2.11 Connecting ON/OFF switch cable

2.11.1 Main board side

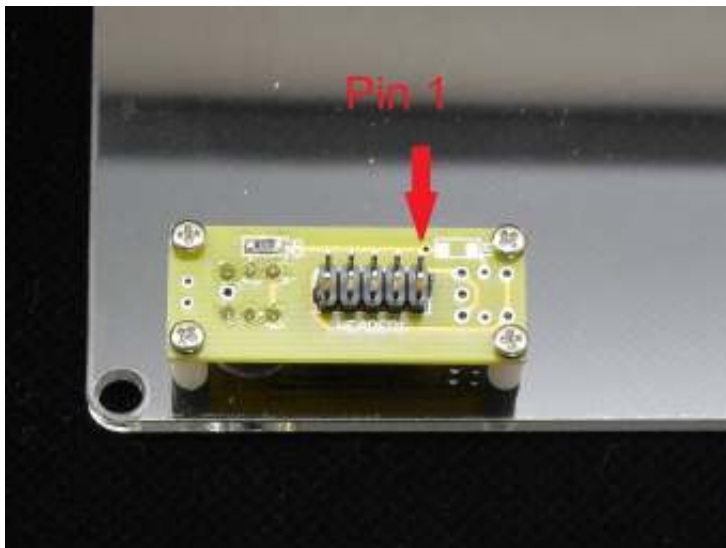
FP1-Pin Definition

Pin	Signal	Pin	Signal
1	HDD_LED+	6	PWR_SW
2	PW_LED+	7	RESET
3	HDD_LED-	8	GND
4	PW_LED-	9	NC
5	GND	10	KEY





2.11.2 Switches and indicators side



2.12 Installing front/ side/ crystal clear plat



2.11 Installing the top crystal clear plate

